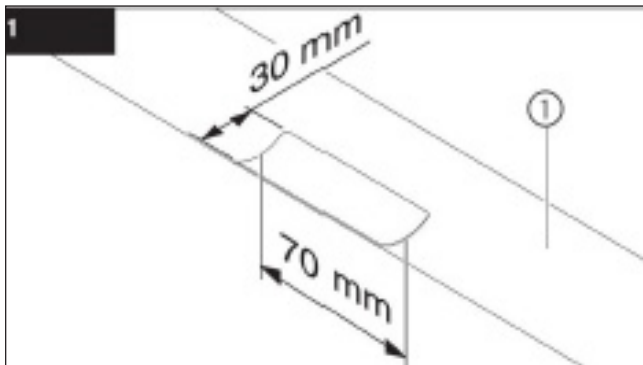




Stop!

To prevent injuries and damage, you must familiarise yourself with the assembly and operating instructions for tube chain conveyors before starting the installation work. Pay special attention to the safety advice!



To route the feed from the feed transportation system to the removal station, outlet openings are to be cut into the conveyor pipe (1).

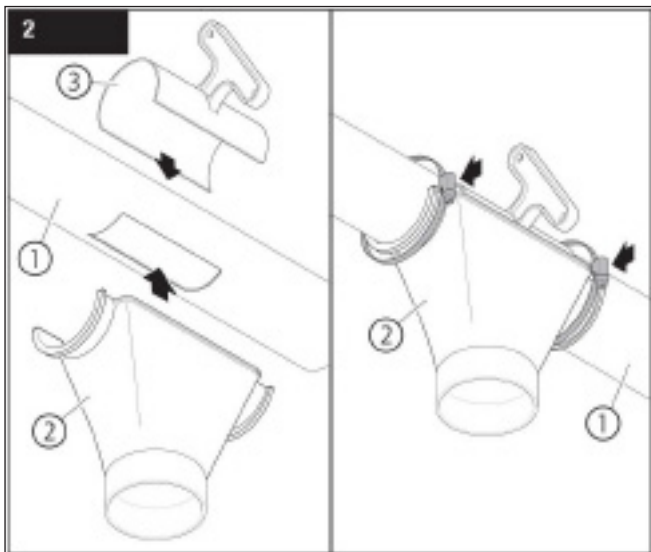


Caution!

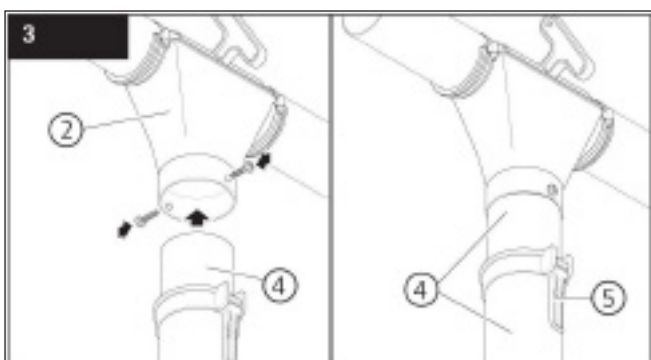
In order to avoid damage to the conveyor chain and contamination of the feed all burrs that are produced through cutting and drilling must be removed.

Observe the maximum outlet size (see diagram 1).

- Cut the outlet ports with a hollow core drill in the conveyor pipes (1).



- Place the feed dispenser station (2) over the outlet hole.
- Attach the rotary slides (3) to the conveyor pipe (1).
- Fix the feed dispenser station (2) to the conveyor pipe (1) with hose clamps or cable ties.



- Insert the telescopic dispenser pipe (4) into the feed outlet (2).
- Secure the telescopic dispenser pipe (4) with two drywall screws.

Use the clamping lever (5) to adjust the length of the telescopic discharge pipe (4).